

SCOTSMAN

MODULAR ICE STORAGE BINS

BH1366

VOLUME STORAGE – AMPLE ICE RESERVE

- Holds 1030 pounds of ice per ARI standard 820-95.
- Ideal storage companion for Scotsman cubers, nugget and flake machines.
- Ships with bin top included.

QUALITY CONSTRUCTION

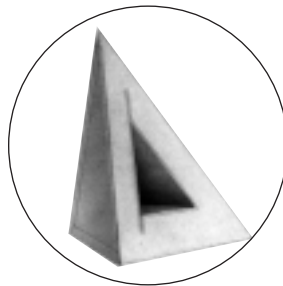
- NSF approved construction.
- Stainless steel finish construction.
- Polyethylene bin interior.
- Polyethylene bin door stays open without latches.

WARRANTY PROTECTION *See Dealer for complete warranty details.*

- 5 years parts and labor on all components.



Bin includes 6" black enamel legs w/ adjustable leveling.

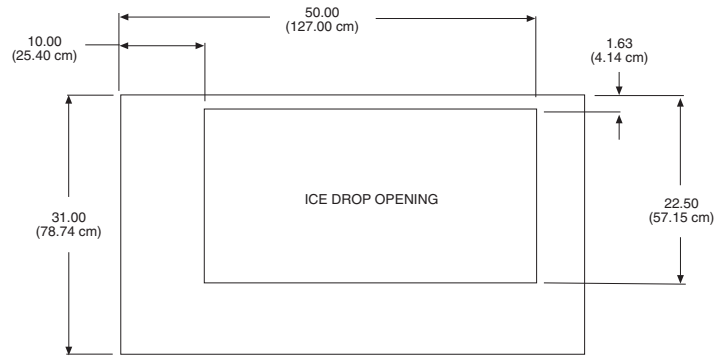


FULLY INSULATED CABINET

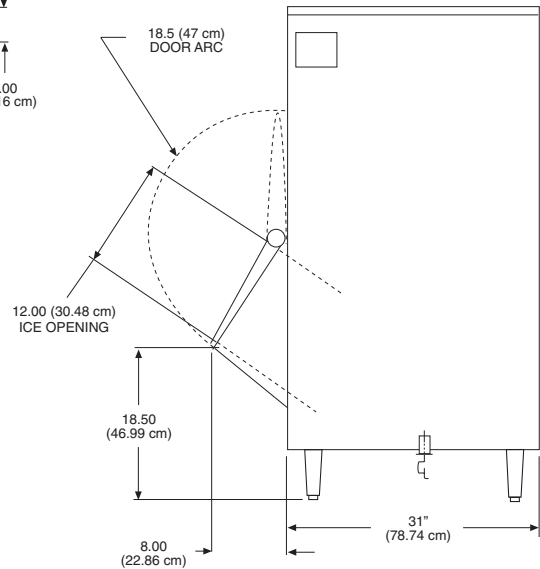
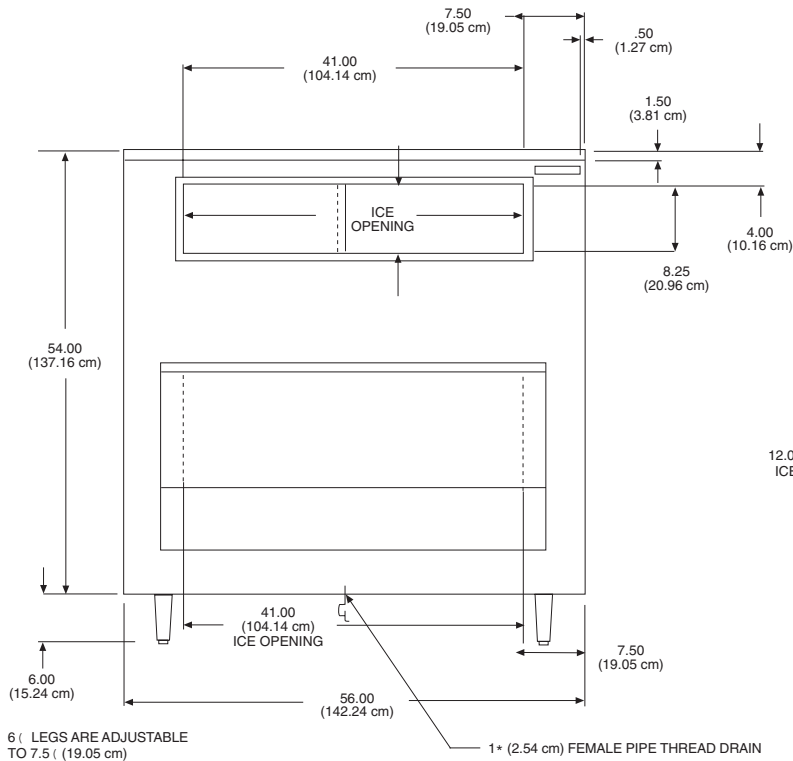
Foam insulation is forced between the wall and liner under heat and pressure to form a perfect wall to wall bond thus preserving ice supply for long periods.



Bin Specifications



TOP VIEW



NOTE: Allow 6" minimum space at back for ice machine ventilation and utility connections.

SCOTSMAN MODULAR BIN			Certified & rated in accordance with ARI standard 820-95		
Model Number	Dimensions W"xD"xH"	ARI Bin Capacity lbs./kg.	Application Capacity lbs./kg.	Finish*	Ship Weight lbs./kg.
BH1366S	56 x 40 x 54	1030/467	1320/598	SS	380/172

*(SS) Stainless steel cabinet with a stainless steel liner.
 NOTE: Add 6" height for legs.
 ARI storage capacity for bins is based on 80% of total volume in cubic feet x 30 lb./ft.³ average density of ice.
 Application capacity for bins is based on 90% of total volume in cubic feet x 34 lb./ft.³ average density of ice.

Bin top panels included with BH1366. Adjust to fit the various ice machine cabinet sizes listed.

Scotsman's ice machines and bins are not designed for outdoor installations. Scotsman remote condensers are designed for outdoor installations.

Machine requires voltage indicated on rating name plate. Failures caused by improper voltage are not considered factory defects. Extended periods of operation at temperatures exceeding limitations constitutes misuse under the terms of Scotsman Manufacturer's Limited Warranty, resulting in a loss of warranty coverage. Specifications and design are subject to change without notice.

Consult Your Local SCOTSMAN Representative At:

YOU'LL VALUE THE DIFFERENCE™

775 Corporate Woods Parkway • Vernon Hills, IL 60061 • 1-800-SCOTSMAN • (847) 913-9844
 Visit our website at: www.scotsman-ice.com • E-mail: customer.service@scotsman-ice.com